

Hunter®

ENGLISH



Intertek



www.HunterFanInternational.com

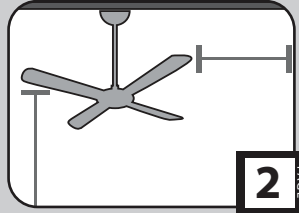
MB517-01 • 03/10/15 • © Hunter Fan Company

Before installation and usage of this product, please read this manual and keep it for future reference.

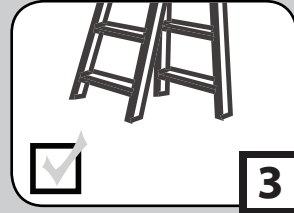
Congratulations on purchasing your new Hunter® ceiling fan! It will provide comfort and performance in your home or office for many years. This installation and operation manual contains complete instructions for installing and operating your fan.

We are proud of our work and appreciate the opportunity to supply you with the best ceiling fan available anywhere in the world.

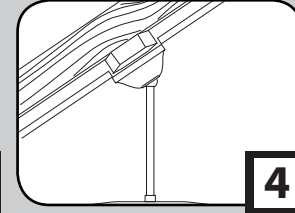
What to Expect with Your Installation



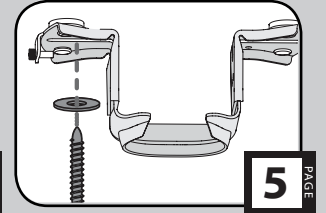
Tools Needed



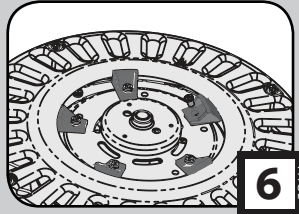
Mounting Options



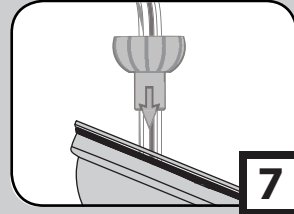
Ceiling Bracket



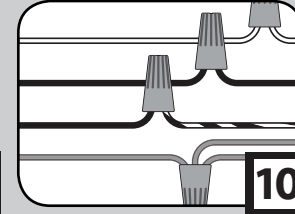
Preparation



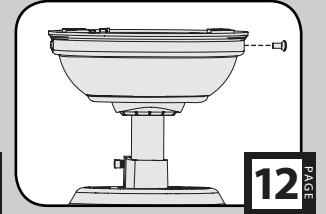
Downrod



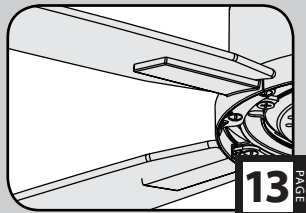
Wiring



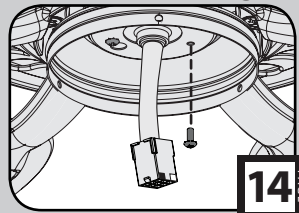
Canopy



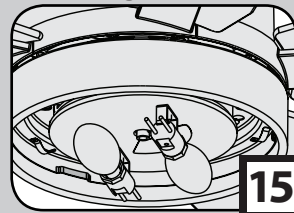
Blades



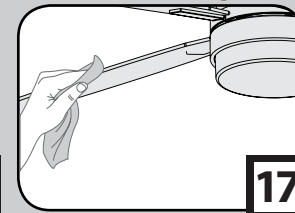
Switch Housing



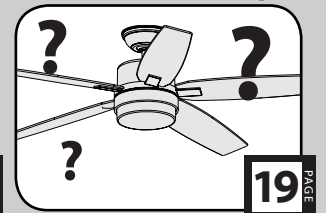
Light Kit



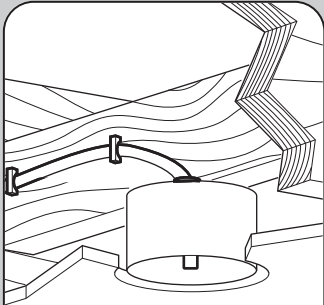
Operation, Maintenance & Cleaning



Troubleshooting

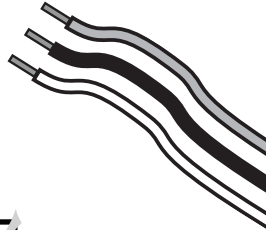


What to Expect with Your Installation

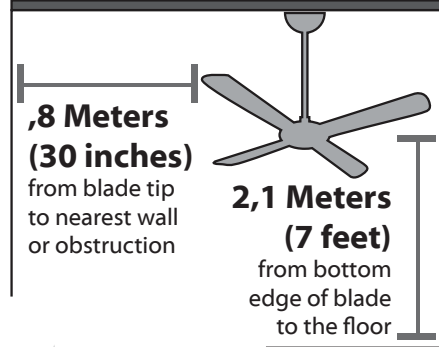


Must be able to secure the fan to building structure or fan-rated outlet box

If you are unfamiliar with wiring, use a qualified electrician.



Know your wiring



Assess location

You may need a friend to help you.



Check box to see fan weight



Ceiling angles greater than 34° will require an Angled Mounting Kit. See page 4 for details.

Assess ceiling angle

1 Standard Downrod
for ceilings 2,4-3 m (8-10 feet) high

2 Longer Downrod
for ceilings 3 m (10 feet) or higher

Select a downrod length

Read and Save These Instructions

This product conforms to UL Standard 507.

⚠ WARNINGS

w.1 - To reduce the risk of fire, electrical shock, or personal injury, mount fan directly from building structure and/or an outlet box marked acceptable for fan support of 70 lbs (31.8 kg) and use the mounting screws provided with the outlet box.

w.2 - To avoid possible electrical shock, before installing or servicing your fan, disconnect the power by turning off the circuit breakers to the outlet box and associated wall switch location. If you cannot lock the circuit breakers in the off position, securely fasten a prominent warning device, such as a tag, to the service panel.

w.3 - To reduce the risk of fire, electrical shock, or motor damage, use only Hunter Solid State Speed Controls.

w.4 - To reduce the risk of personal injury, do not bend the blade brackets when installing the blade brackets, balancing the blades, or cleaning the fan. Do not insert foreign objects in between rotating fan blades.

w.5 - This product is not intended to be used by people (including children) whose physical, sensory, or mental capacities are different or diminished, or lack of experience or knowledge, unless such persons receive training or work under supervision of a person responsible for their safety.

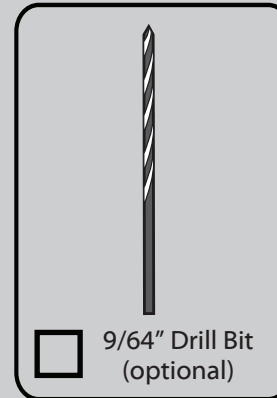
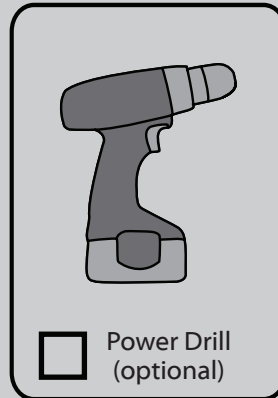
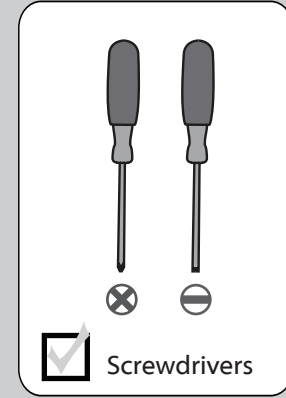
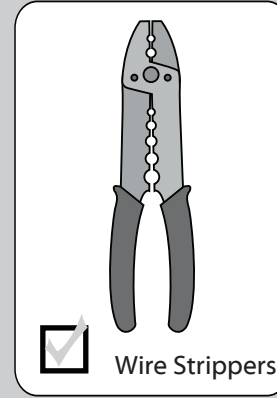
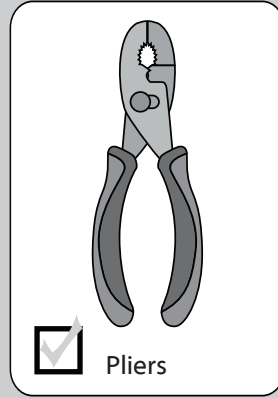
w.6 - Children should be supervised to ensure they do not use the devices as a toy.

⚠ CAUTIONS

c.1 - All wiring must be in accordance with national and local electrical codes ANSI/NFPA 70. If you are unfamiliar with wiring, use a qualified electrician.

c.2 - Use only Hunter replacement parts.





If mounting to a support structure, you will also need these tools.

34°

CEILING ▲

If you have a flat ceiling:Hang your fan by a standard downrod (*included*).Standard
Mounting

OPTION 1

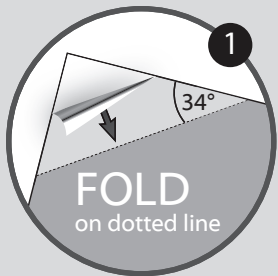
If you have an angled ceiling:

1. You will need a longer downrod (*included*).
2. If your ceiling angle is greater than 34°, you will also need an Angled Mounting Kit (*sold separately*).

Angled
Mounting

OPTION 2

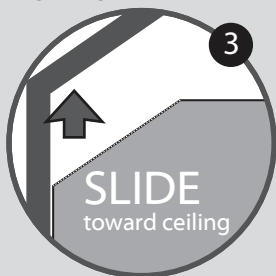
Use the three steps below to determine if your ceiling angle is greater than 34°



1

FOLD
on dotted line

2

PLACE
against wall

3

SLIDE
toward ceilingGuide Touches
BOTH Ceiling & WallYou need **ONLY**
a Longer
Downrod

*most common

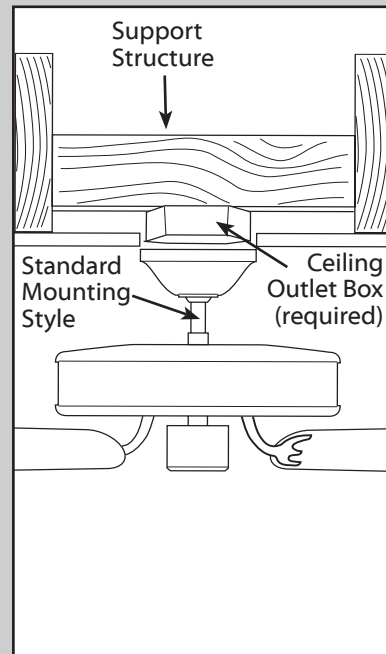
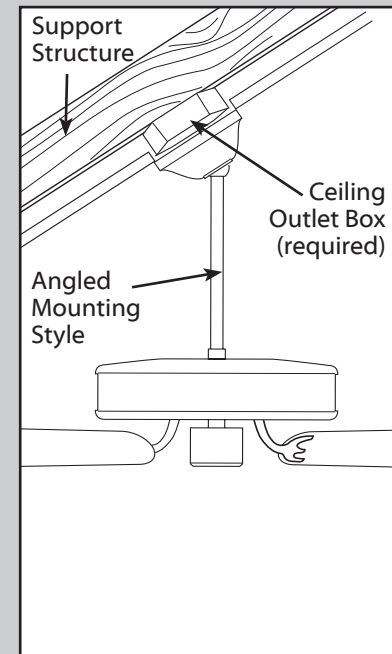
SITUATION 1

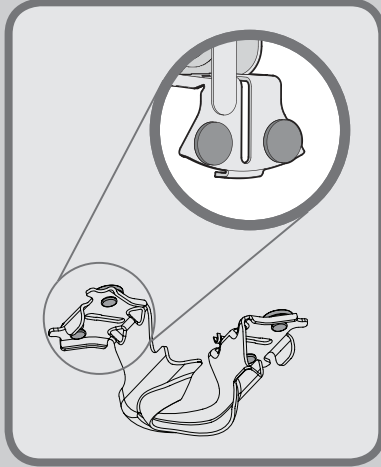
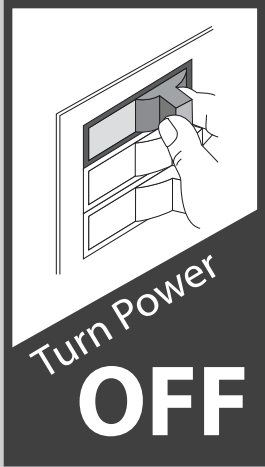
Guide Touches Wall
but **NOT** CeilingYou need **BOTH**
a Longer
Downrod &
an Angled
Mounting Kit

SITUATION 2

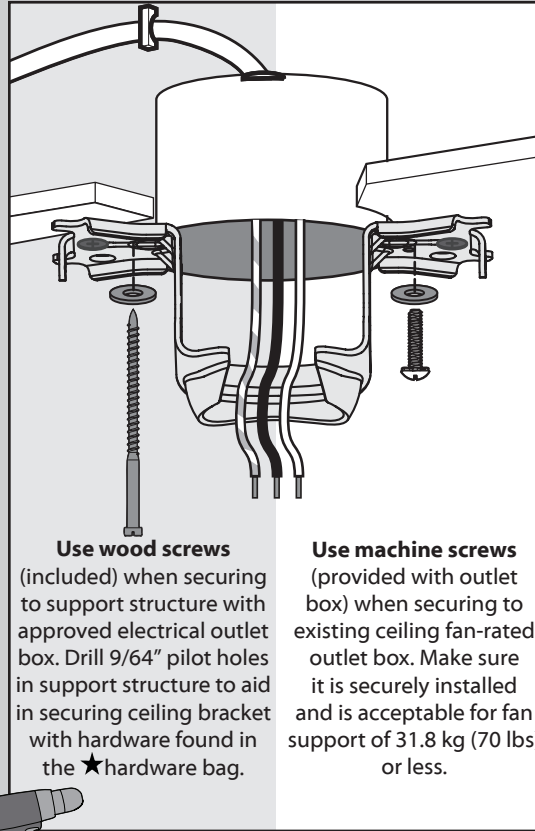
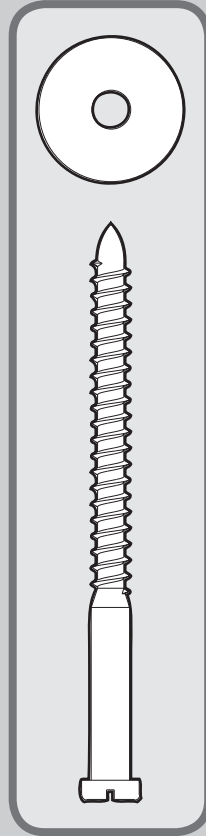
Mounting Options

www.HunterFanInternational.com

Use **Standard Mounting** to hang the fan from a flat ceiling.Use **Angled Mounting** to hang the fan from a vaulted or angled ceiling.



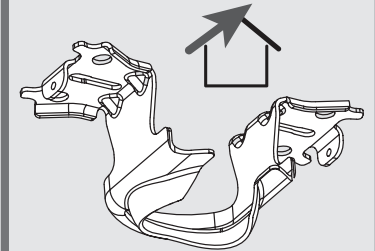
Make sure all four (4) bumpers are still attached.



Use wood screws (included) when securing to support structure with approved electrical outlet box. Drill 9/64" pilot holes in support structure to aid in securing ceiling bracket with hardware found in the ★ hardware bag.

Use machine screws (provided with outlet box) when securing to existing ceiling fan-rated outlet box. Make sure it is securely installed and is acceptable for fan support of 31.8 kg (70 lbs) or less.

For angled ceilings, point opening toward peak.



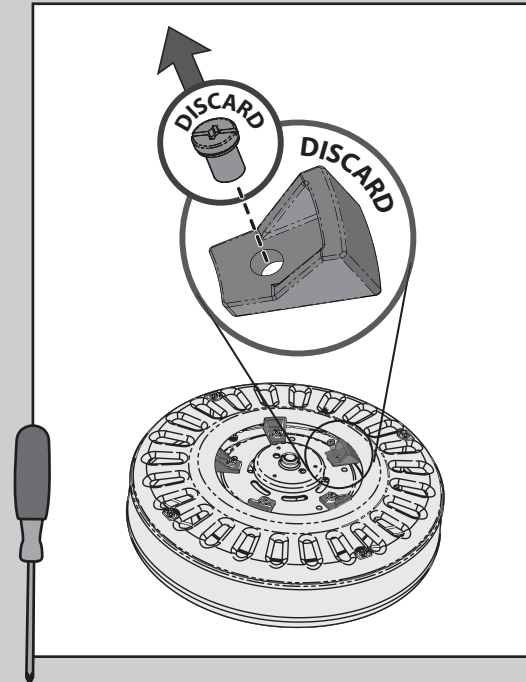
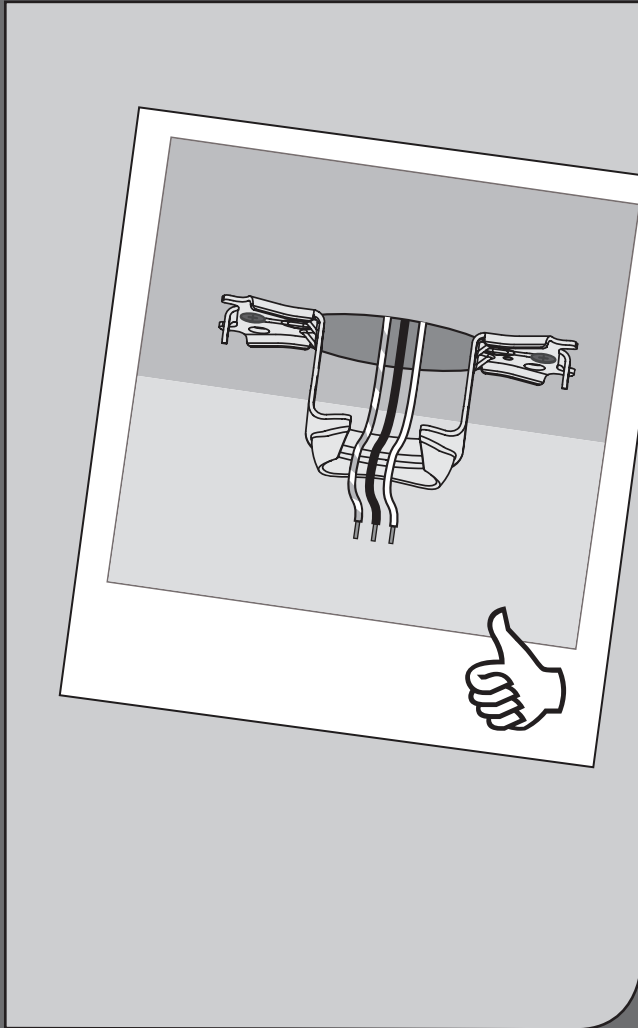
To avoid possible electrical shock, before installing your fan, disconnect the power by turning off the circuit breakers to the outlet box associated with the wall switch location.



5

Refer to warning w.1 on pg. 2



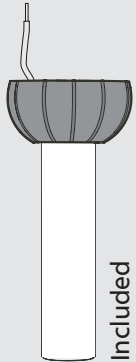


Remove the shipping blocks from the motor. Discard the screws.

Note: Some fans will have a shipping ring instead of shipping blocks. Please remove the ring and discard the screws.

Option 1

Standard Downrod
for ceilings 2,4-3 m
(8-10') high



Included
(pre-assembled)

skip to next page

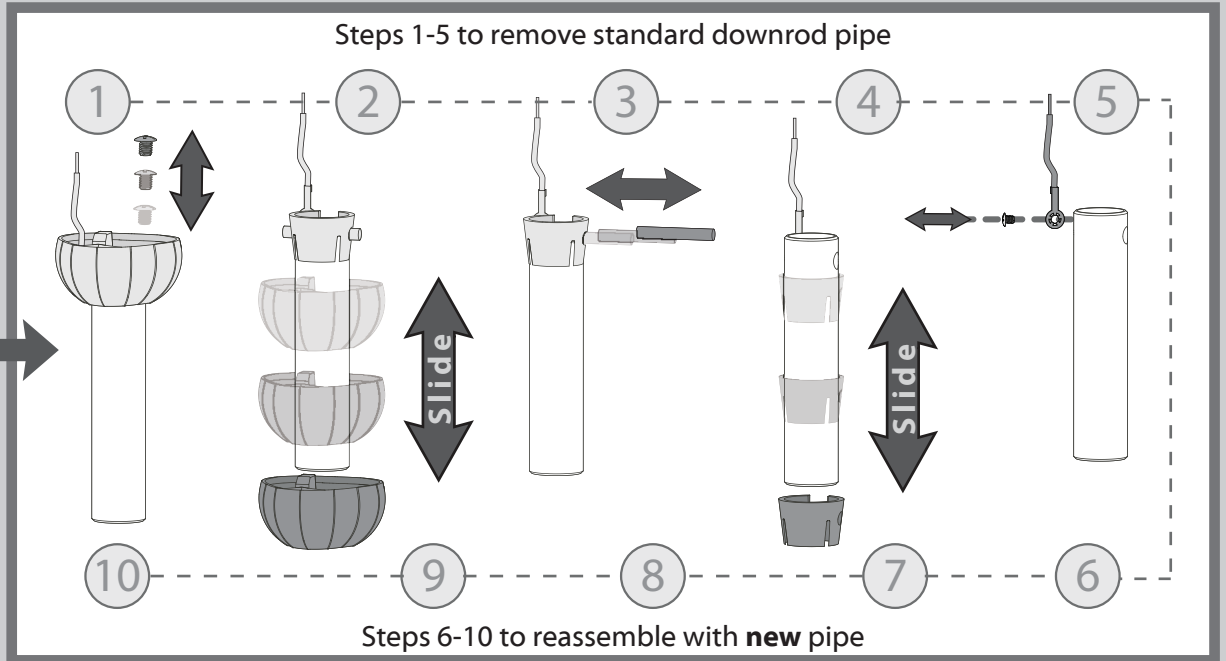
Option 2

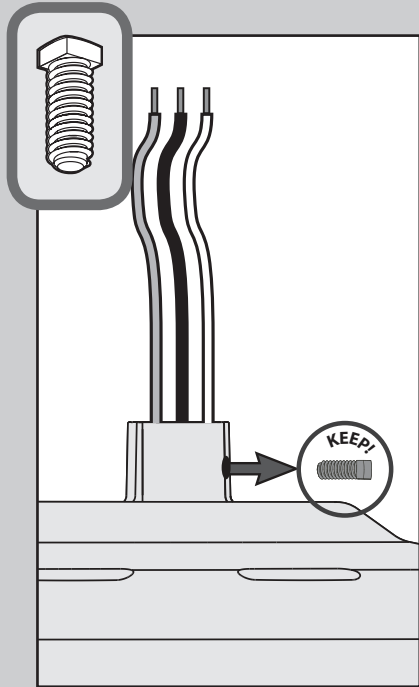
Longer Downrod
for angled
ceilings or
ceilings 3 m (10')
or higher



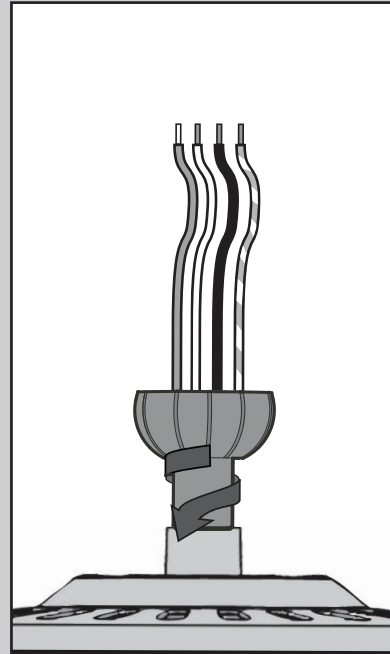
Sold Separately

If you need a different downrod length follow these steps:

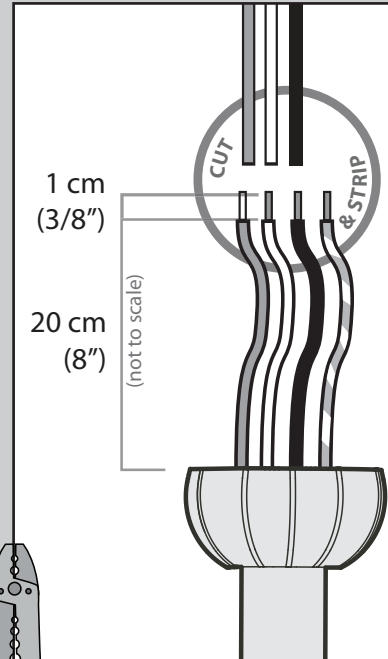




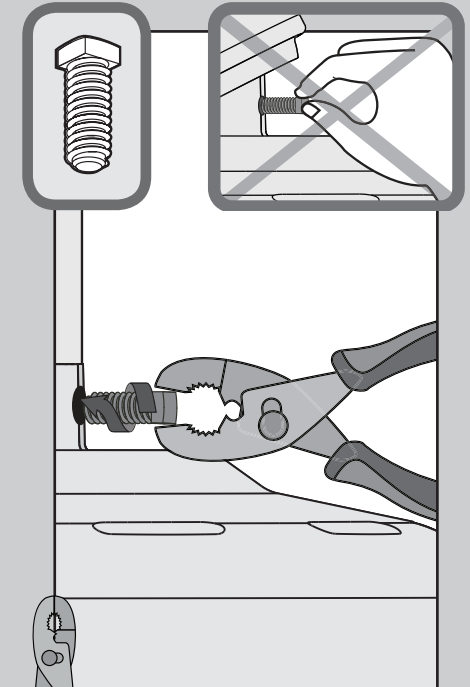
Remove the pre-installed setscrew so that the downrod can be inserted.



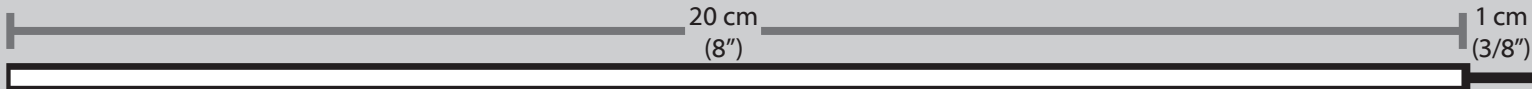
Hand tighten the downrod (at least 4-5 full turns) until it stops.



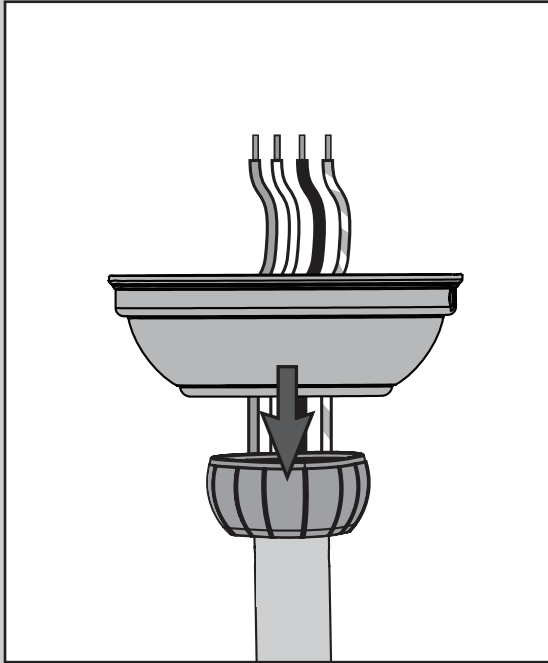
The wires can be cut, but leave at least 20 cm (8") extending from the top of the downrod.



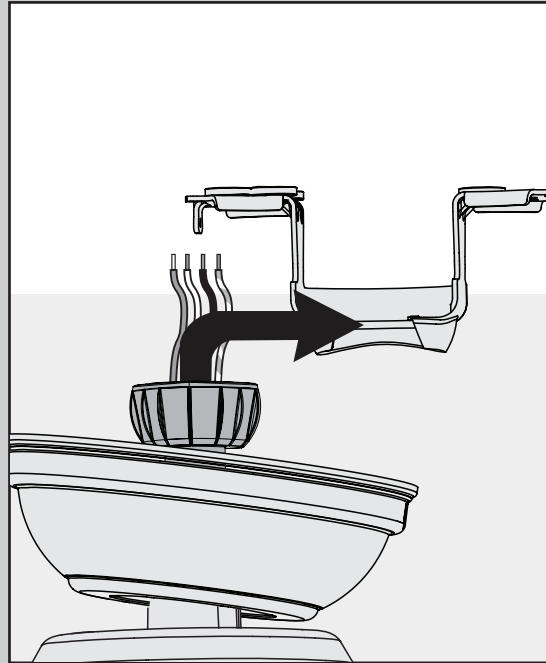
Tighten the setscrew with pliers. **DO NOT HAND TIGHTEN.**



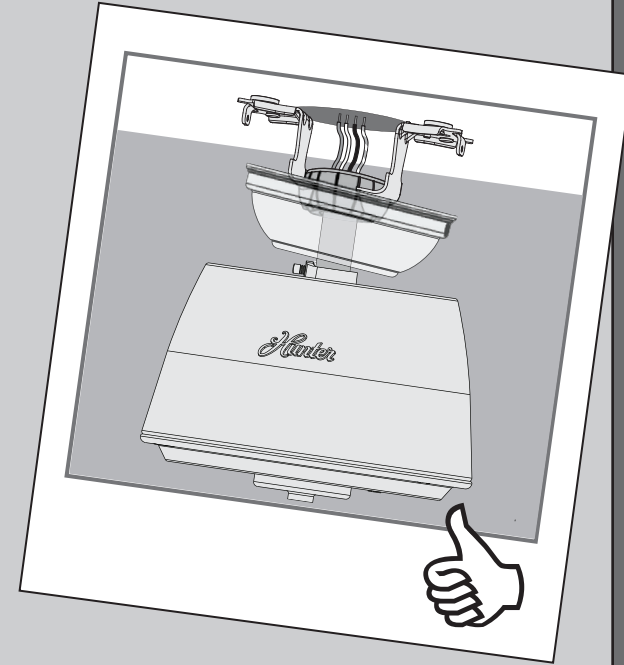
If the setscrew is not tightened securely, the fan may fall.



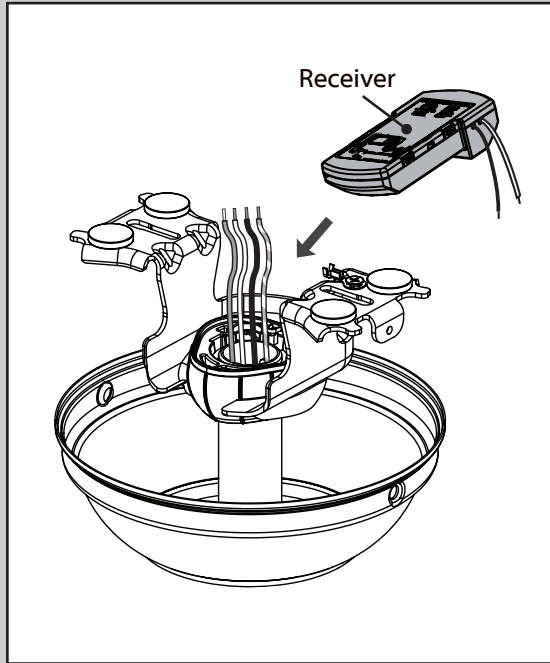
Put the wires and downrod through the canopy.
Let the canopy sit loosely on top of the fan.



**DO NOT PICK THE FAN UP BY THE CANOPY
OR WIRES.** Place the downrod ball into the slot
in the ceiling bracket.

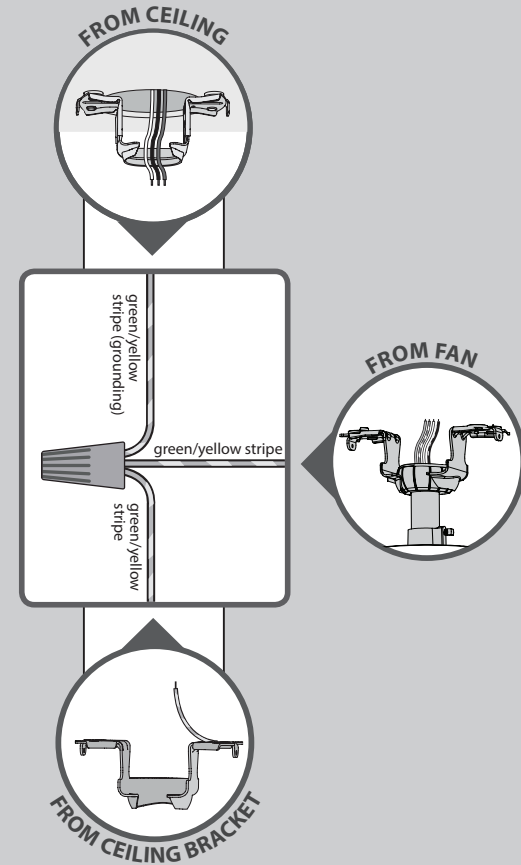


Note: To connect the wires, hold the bare metal leads together and place a wire connector over them, then twist clockwise until tight.



Place the receiver on top of the downrod assembly as shown.

Using an orange wire connector from the ★ hardware bag:
Connect the 3 grounding wires (green, green/yellow stripe, or bare copper) coming from the ceiling, downrod, and ceiling bracket.

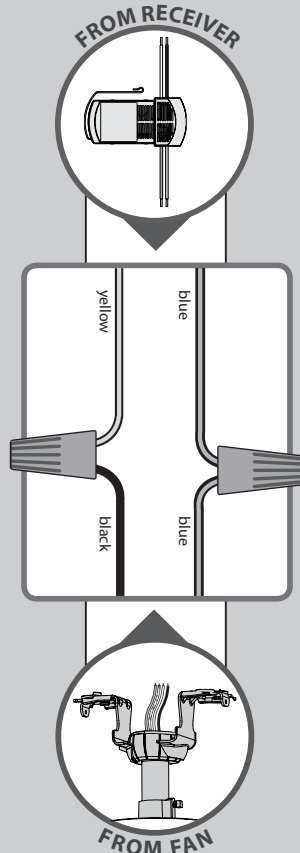


Refer to CAUTION c.1 on pg. 2

Turn the splices upward and push them carefully back through the hanger bracket into the outlet box. Spread the wires apart, with the grounded wires on one side of the outlet box and the ungrounded wires on the other side of the outlet box.

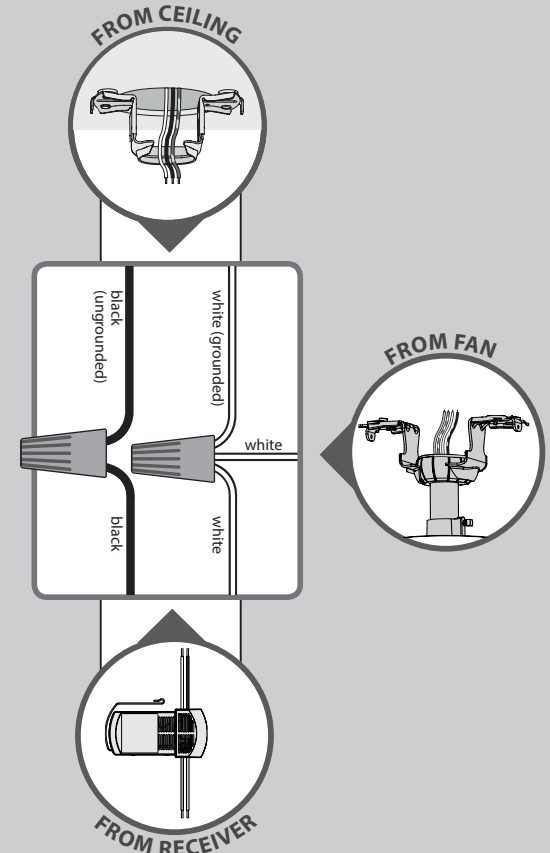
Using the orange wire connectors from the remote control hardware bag:

- Connect the yellow wire from the receiver to the black wire from the fan.
- Connect the blue wire from the receiver to the blue wire (or possibly black with white stripe wire) from the fan.



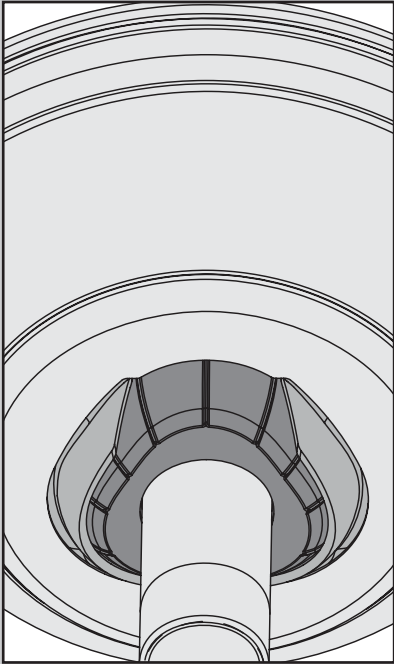
Using the orange wire connectors from the ★ hardware bag:

- Connect the black (ungrounded) wire from the ceiling to the black wire from the receiver.
- Connect the white (grounded) wire from the ceiling to both the white wire from the receiver and the white wire from the fan.

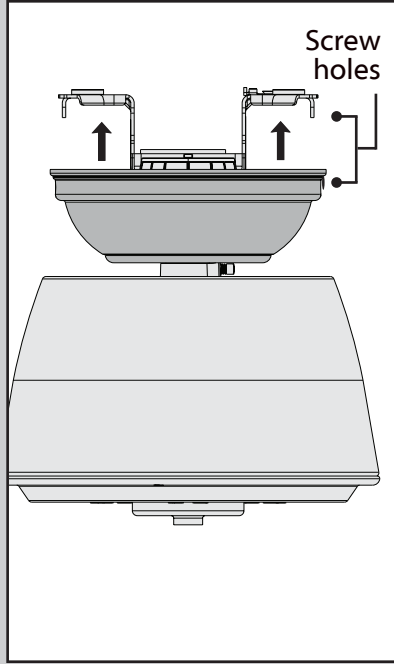


Refer to CAUTION c.1 on pg. 2

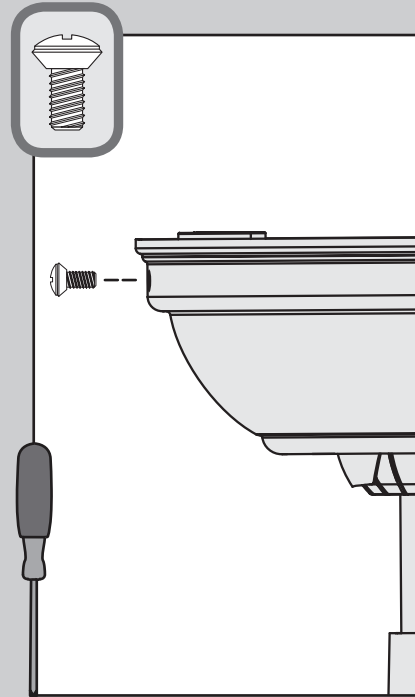
Turn the splices upward and push them carefully back through the hanger bracket into the outlet box. Spread the wires apart, with the grounded wires on one side of the outlet box and the ungrounded wires on the other side of the outlet box.



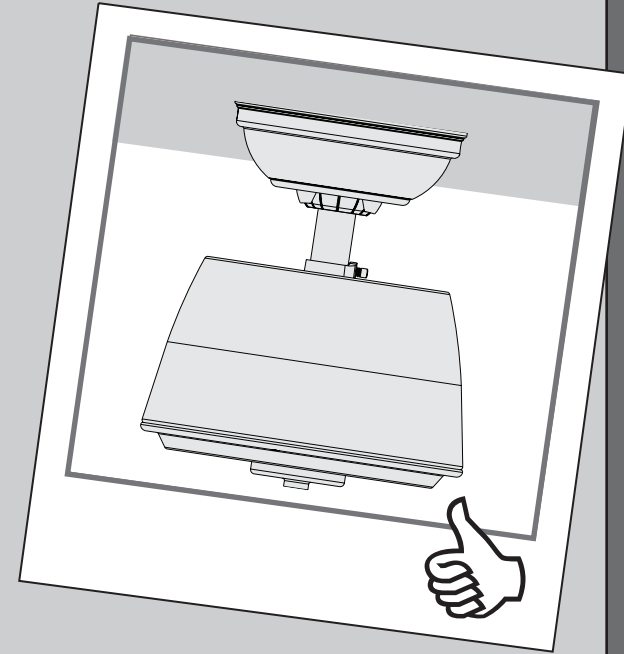
Position the canopy so that, when lifted into place, the canopy fits into the hanging bracket as shown.



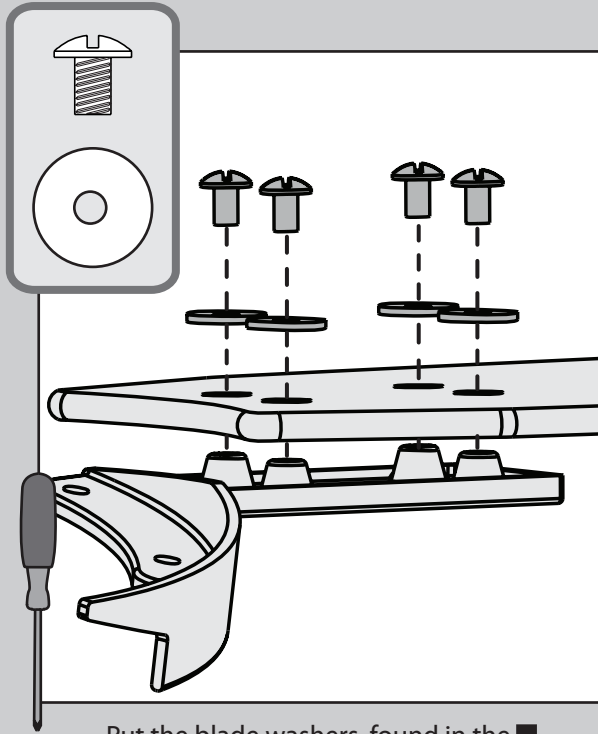
Lift the canopy into place so that the screw holes are aligned.



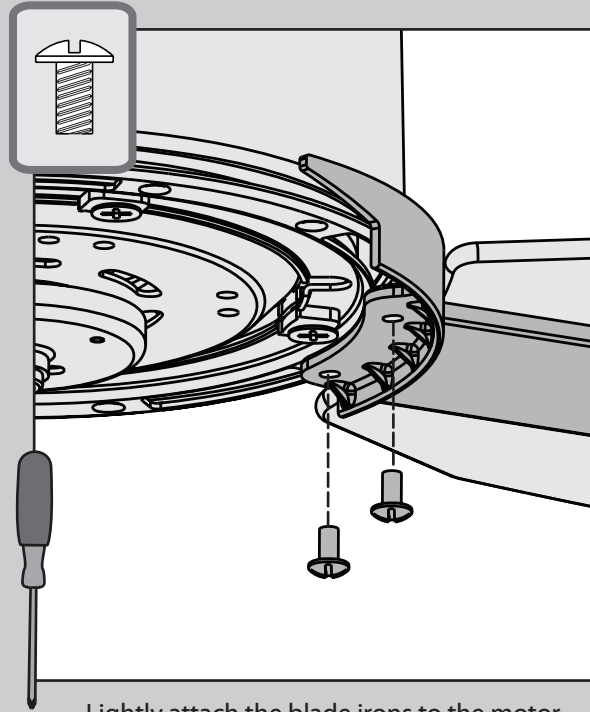
⊗ Insert the two canopy screws found in the ● hardware bag.



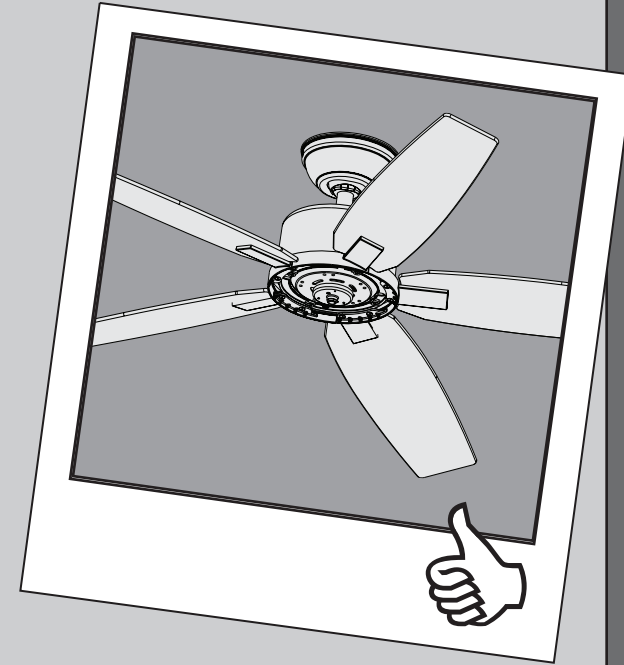
Note: Fan style may vary.

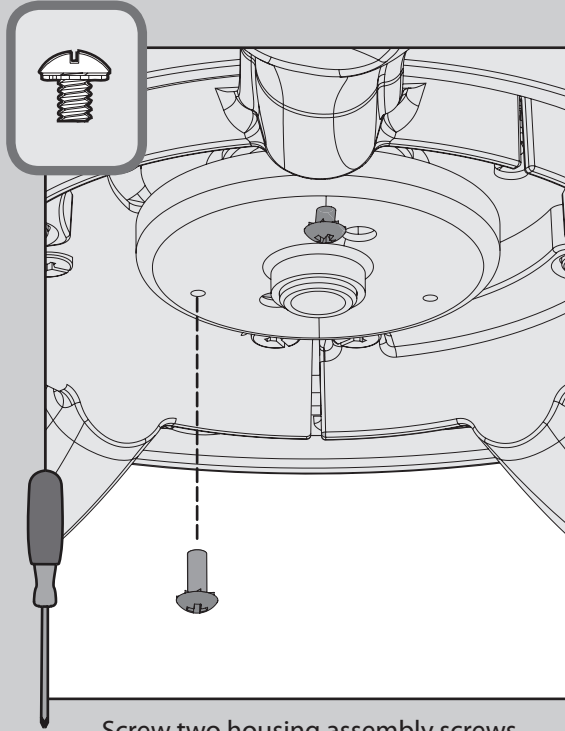


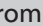
⊗ Put the blade washers, found in the ■ hardware bag, onto the blade screws, found in the ▲ hardware bag. Then install the blade screws to secure each blade to a blade iron.

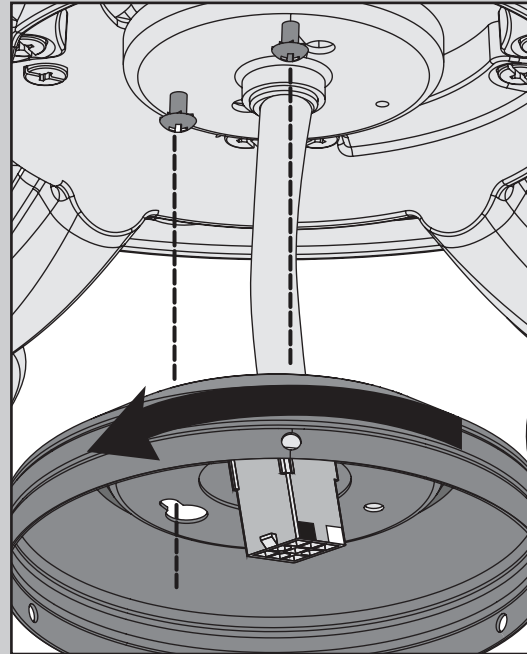


⊗ Lightly attach the blade irons to the motor with screws found in the ☒ hardware bag, then securely tighten after both screws are attached.

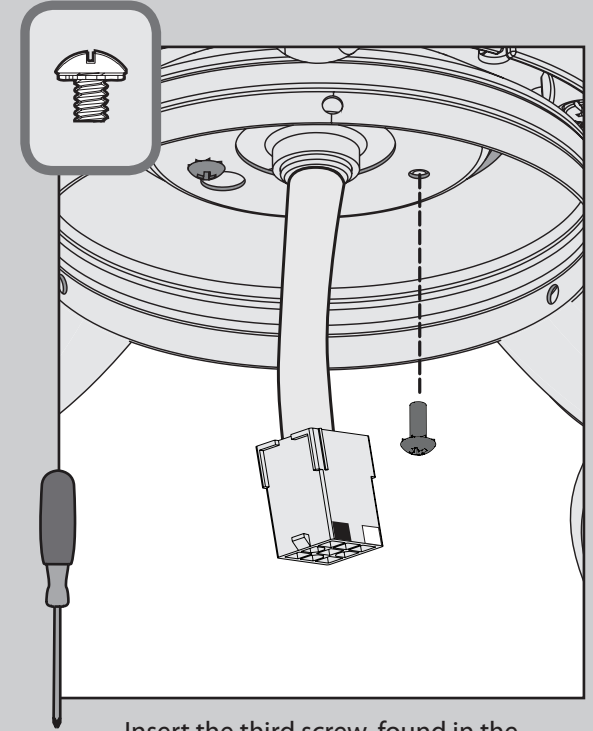





⊗ Screw two housing assembly screws from the  hardware bag halfway into the motor housing. It does not matter which two screw holes you choose.



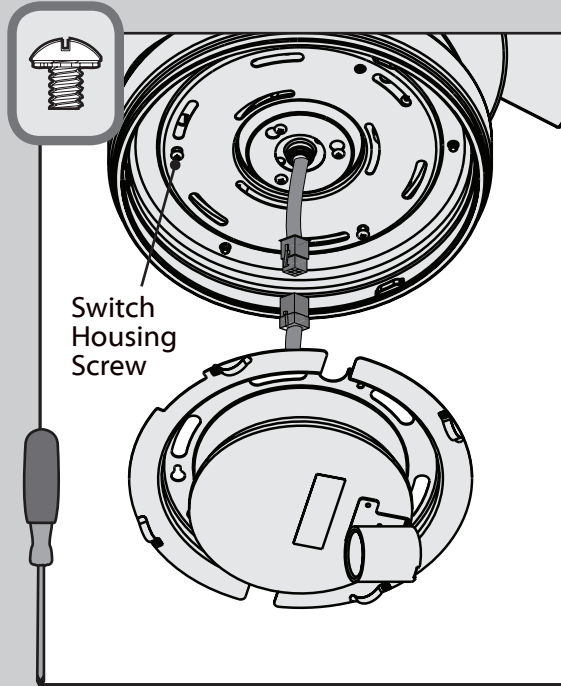
Feed the wire plug through the center hole of the upper switch housing, then wrap keyhole slots around the screws and twist counterclockwise.




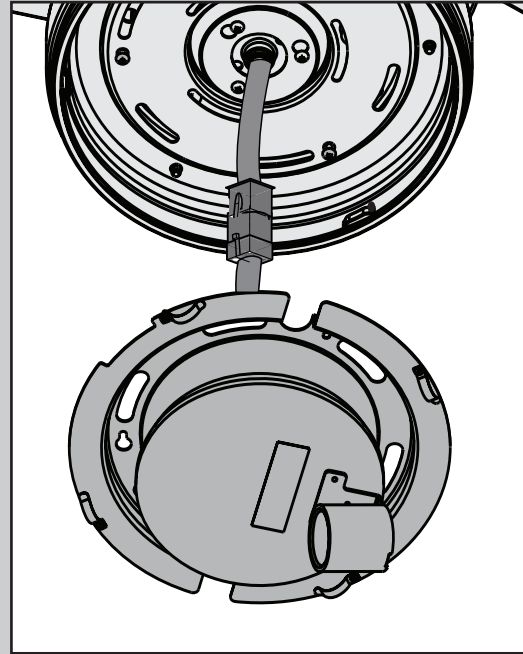
⊗ Insert the third screw, found in the  hardware bag, into place and then tighten all three screws.

Make sure the upper switch housing is securely attached to the mounting plate. Failure to properly secure all 3 assembly screws could result in the switch housing fixture falling.

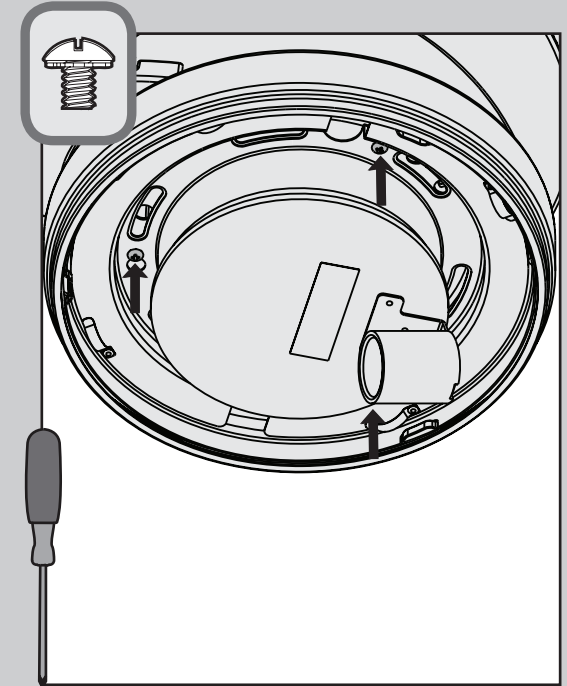




- ⊗ Partially install two of the switch housing screws found in the  bag. Connect the plugs from the upper and lower switch housings. Make sure to line up the colored markings on the connectors.



Align the keyhole slots in the light kit housing with the housing assembly screws. Make sure all the wires from the fan and the light kit are snug inside the center of the light kit, not pinched in between the upper switch housing and the light kit or hanging out of the sides.

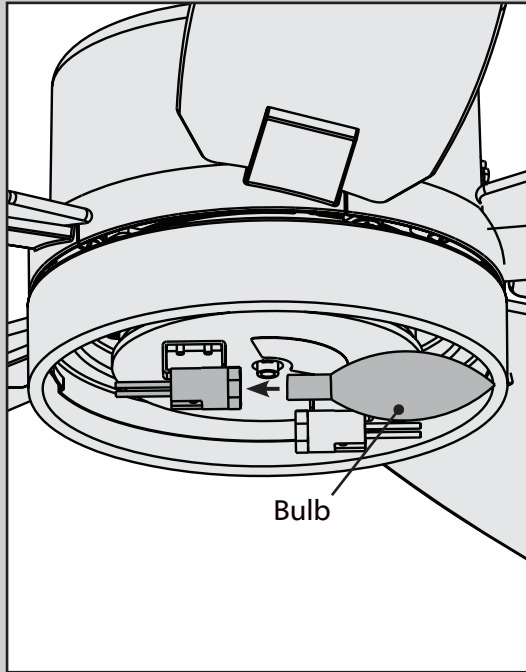


- ⊗ Turn the light kit counterclockwise until the housing assembly screws are firmly situated in the narrow end of the keyhole slots. Install the remaining screw into the housing. Tighten all three screws securely.

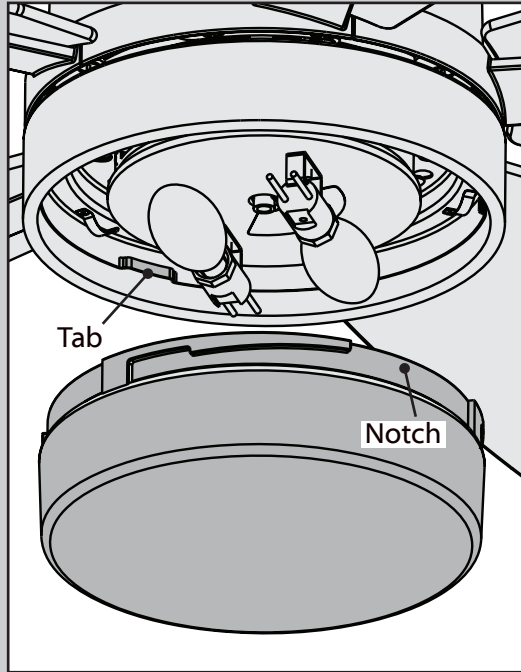
Make sure the lower switch housing is securely attached to the upper switch housing. Failure to properly secure all three assembly screws could result in the light fixture falling.

Note: Globe style and number of lights may vary.





Install a bulb into each of the sockets. When necessary, replace with bulbs of the same type and wattage.



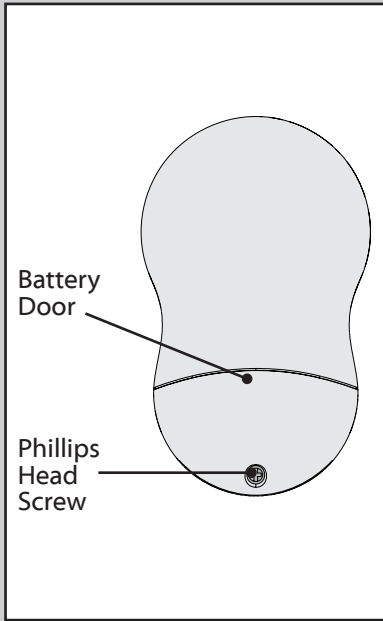
Lift the globe and align the notches in the globe with the tabs in the light kit. Attach the glass bowl to the light kit by twisting it clockwise until it snaps into place.



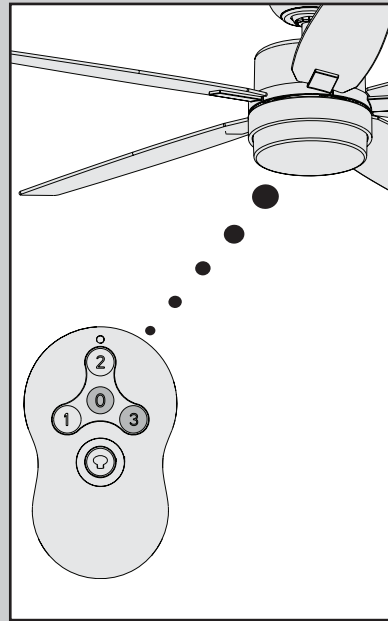
See next page for fan operation instructions. 

Note: Globe style and number of lights may vary.

Note: In compliance with US federal energy regulations, this ceiling fan contains a device that restricts its light output. Exceeding the wattage limit marked on the MAX wattage sticker affixed to the light socket(s) may result in fire hazard or improper operation.



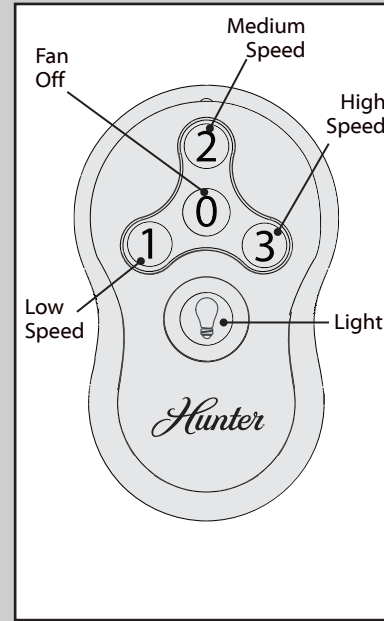
To access the battery compartment, remove the small Phillips head screw that secures the battery door to the transmitter assembly. The battery should be installed with the positive (+) side up. Replace with a CR2032 battery when necessary.



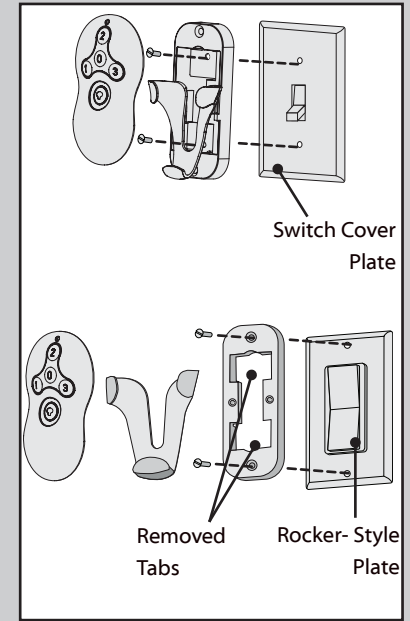
The remote transmitter should already be paired to the receiver and ready to use.

Note: If your need to pair your remote, turn fan power off and back on at the wall switch. Within 3 minutes, press and hold both the Fan Off button and the High Speed button for 4 seconds to pair the remote.

To prevent faulty operation, please ensure all other ceiling fans within range are turned off at the wall switch while pairing.



To turn on fan, press a fan speed button. Speeds range from off (0) to high (3). Quickly press the Light button to turn the lights off and on. Hold the Light button to raise and dim the light level.

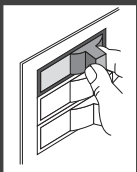


To install the transmitter cradle, remove the two screws holding the switch cover plate. Do not remove the cover plate. Orient the cradle by lining up the two mounting holes with those on the cover plate. Insert and tighten the screws. Do not over tighten.

Note: For rocker-style cover plates, break off the tabs by pushing outward.

Turn Power

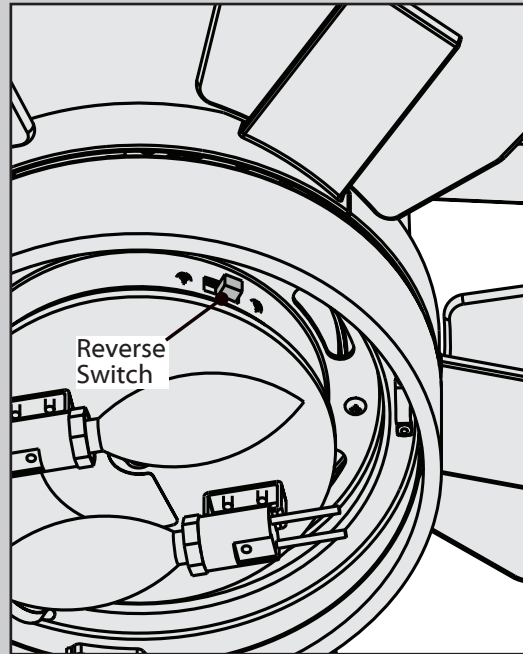
ON



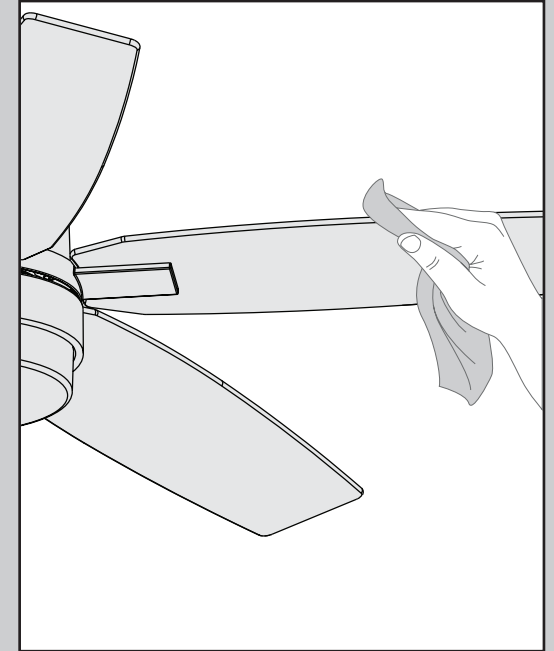
Safe-Exit

The Safe-Exit Program gives you about thirty seconds of light when you turn the lights off to exit the room before the lights go out. To use Safe-Exit:

- Press the Fan Off button for at least three seconds to initiate the Safe-Exit Mode.
- The lights will flash for visual confirmation.
- The lights will stay on 50% brightness for 15 seconds and then begin to dim. After a total of 30 seconds, the lights will be completely off.



To switch the direction of air flow, move the reverse switch to the opposite position. You will need to remove the light kit glass to do so.



For cleaning the fan, use soft brushes or cloths to prevent scratching. Cleaning products may damage the finishes.

Fan doesn't work

- Make sure power switch is on.
- Pull the pull chain to make sure it is on.
- Push the motor reversing switch firmly left or right to ensure that it is engaged.
- Check the circuit breaker to ensure the power is turned on.
- Make sure the blades spin freely.
- Turn off power from the circuit breaker, then loosen the canopy and check all the connections according to the wiring diagram on pages 10-11.
- Check the plug connection in the switch housing.

Excessive wobbling

- Tighten all of the blade and blade iron screws until they are snug.
- Turn the power off, support the fan carefully, and check that the hanger ball is properly seated.
- Use the provided balancing kit and instructions to balance the fan.

Remote control of fan is erratic

- Make sure the battery is installed correctly.
- Install a fresh battery.

Transmitter only works when held at close range

- Install a fresh battery.

Noisy Operation

- Tighten the blade and blade iron screws until they are snug.
- Check to see if any of the blades are cracked. If so, replace all of the blades.

If you have multiple remotes or multiple remote-controlled fans installed on the same circuit breaker

and you are experiencing interference or faulty operation of your remote controls, please go to www.HunterFan.com/FAQs and click "How do I properly install multiple remote-controlled fans?" for information on how to correct this issue.

Lights dim when turned on or do not turn on at all.

- Make sure the wattage of the light bulbs installed matches the specifications on the light sockets.